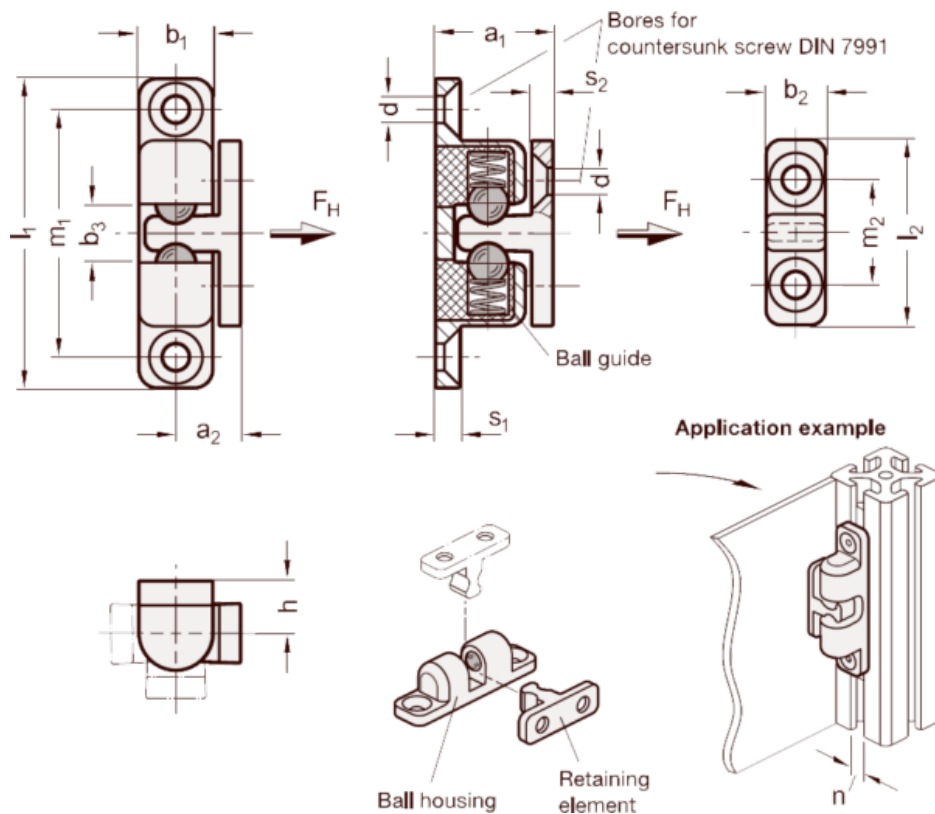


Article number: 204490ZD681SW
 Description: E+G Ball catches
 GN 4490-ZD-68-1-SW

Measures



| | | | |
|-----------------|--------|-----------------------|--------|
| a1 | = 23 | Holding force FH in N | = 50 |
| a2 | = 12 | l1 | = 68 |
| b1 | = 14.5 | l2 | = 32.5 |
| b2 | = 11 | m1 | = 55 |
| b3 | = 9.5 | m2 | = 20 |
| d | = M 4 | s1 | = 5 |
| for nut width n | = ? 8 | s2 | = 3.5 |
| h | = 11 | Weight in (g) | = 55 |